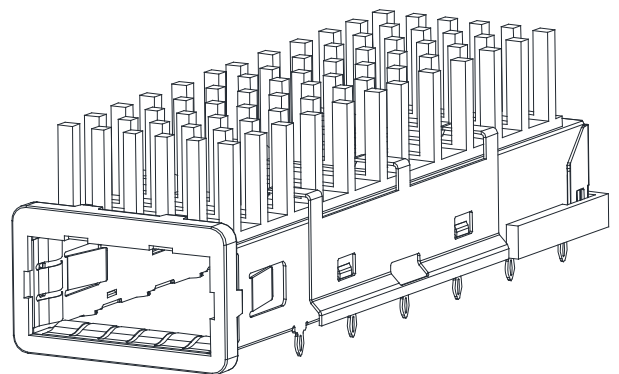
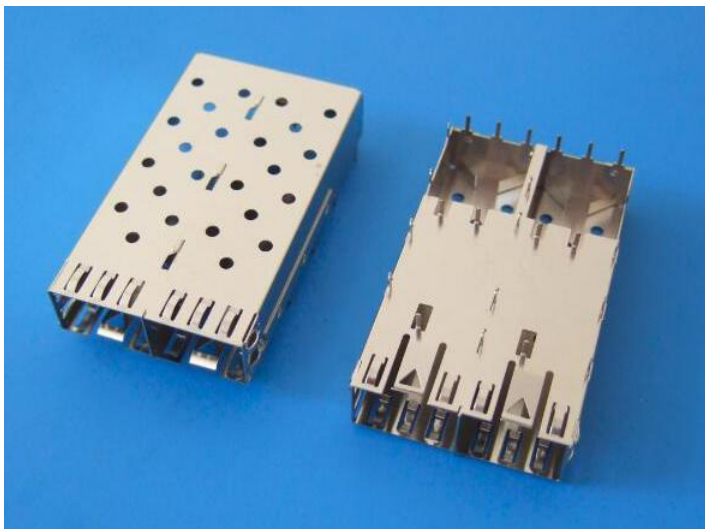
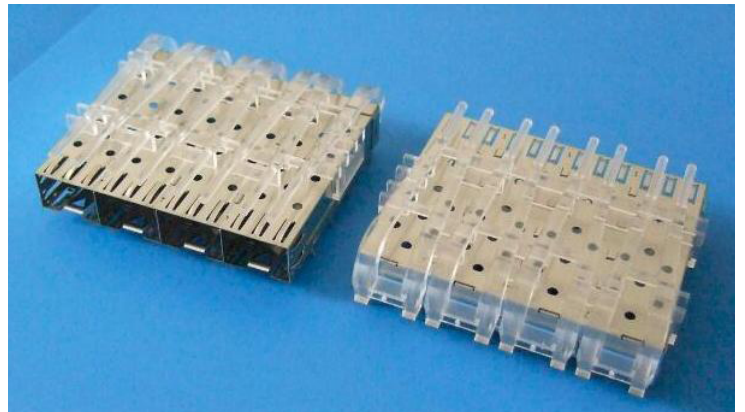
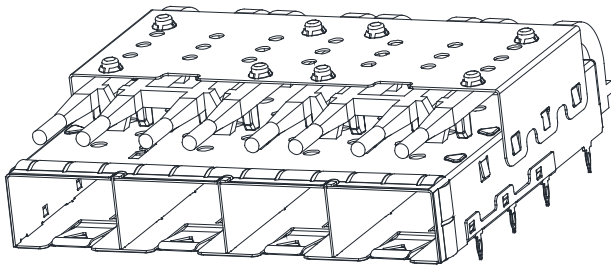
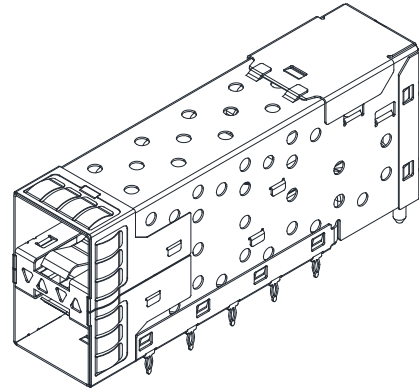
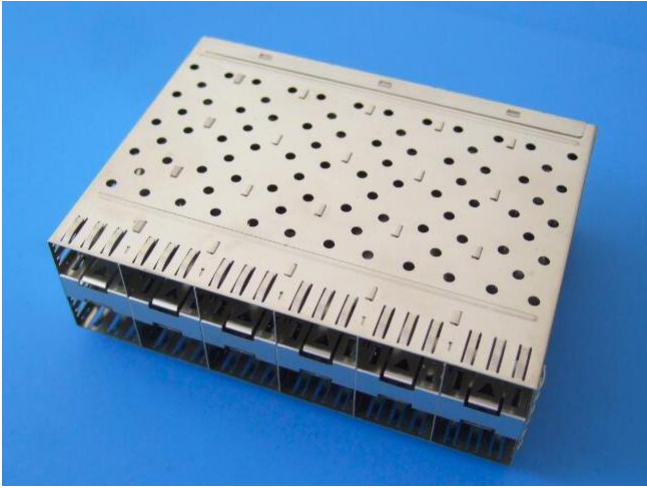


SFP Connector & Cage



INDEX

SFP CONNECTOR

SFPC008G_	SFP Connector 20P	Page 3
XFPC012G_	XFP CONNECTOR 30P	Page 3

SFP CONNECTOR & CAGE

SFPC021P-_	SFP CAGE 2X1 Press Fit Light Pipe Option	Page 4
SFPC024B-_	SFP CAGE 2X1 Press Fit Light Pipe Option	Page 5
SFPC026A-0	SFP CAGE 2X6 Without Light Pipe	Page 6

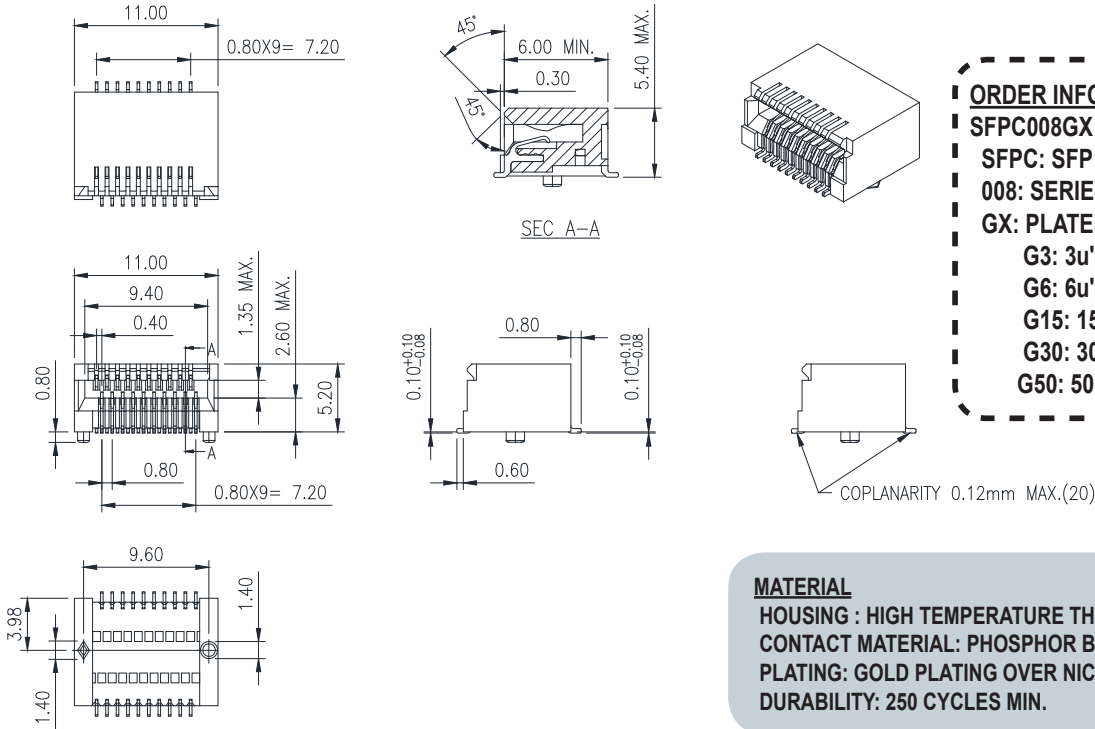
SFP CAGE

SFPC006L	SFP CAGE 1 Port	Page 7
SFPC014N	SFP CAGE 1X4 Port	Page 7
SFPC014	SFP+ CAGE 1X4 With Light Pipe	Page 8
SFPC869088	SFP+ CAGE 1X4 Press Fit With Light Pipe	Page 9
SFPC016	SFP+ CAGE 1X6 With Light Pipe	Page 9

XFP CAGE WITH HEAT SINK KIT

XFPC008L ~ XFPC010L	XFP CAGE With Heat Sink Kit	Page 10
---------------------------	-----------------------------------	---------

SFPC008G



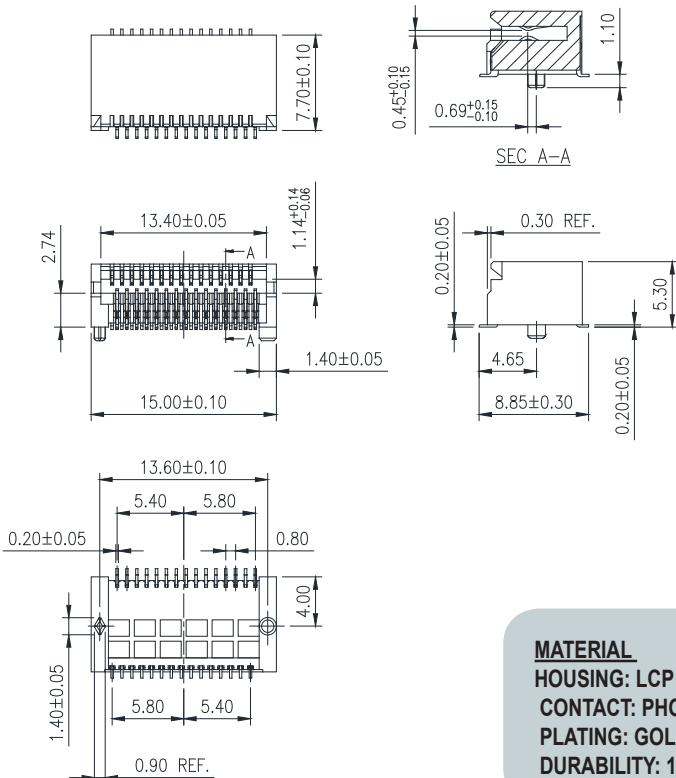
ORDER INFORMATION

- SFPC008GX
- SFPC: SFP CONNECTOR
- 008: SERIES NO.
- GX: PLATED OPTION
- G3: 3u' GOLD PLATED ON CONTACT
- G6: 6u' GOLD PLATED ON CONTACT
- G15: 15u' GOLD PLATED ON CONTACT
- G30: 30u' GOLD PLATED ON CONTACT
- G50: 50u' GOLD PLATED ON CONTACT

MATERIAL

- HOUSING : HIGH TEMPERATURE THERMOPLASTIC UL94V-0
- CONTACT MATERIAL: PHOSPHOR BRONZE THICKNESS= 0.20mm
- PLATING: GOLD PLATING OVER NICKEL
- DURABILITY: 250 CYCLES MIN.

XFPC012G



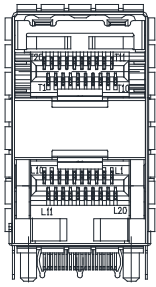
ORDER INFORMATION

- XFPC012GX
- XFPC: XFP CONNECTOR
- 012: SERIES NO.
- GX: PLATED OPTION
- G15: 15u' GOLD PLATED ON CONTACT
- G30: 30u' GOLD PLATED ON CONTACT

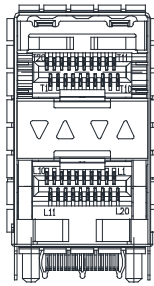
MATERIAL

- HOUSING: LCP UL94V-0
- CONTACT: PHOSPHOR BRONZE THICKNESS= 0.20mm
- PLATING: GOLD PLATING OVER NICKEL, 15u" OR 30u" GOLD PLATING IN CONTACT AREA
- DURABILITY: 100 CYCLES MIN.

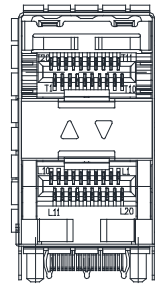
SFPC021P-__



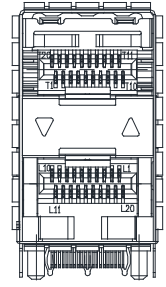
SFPC021P-0



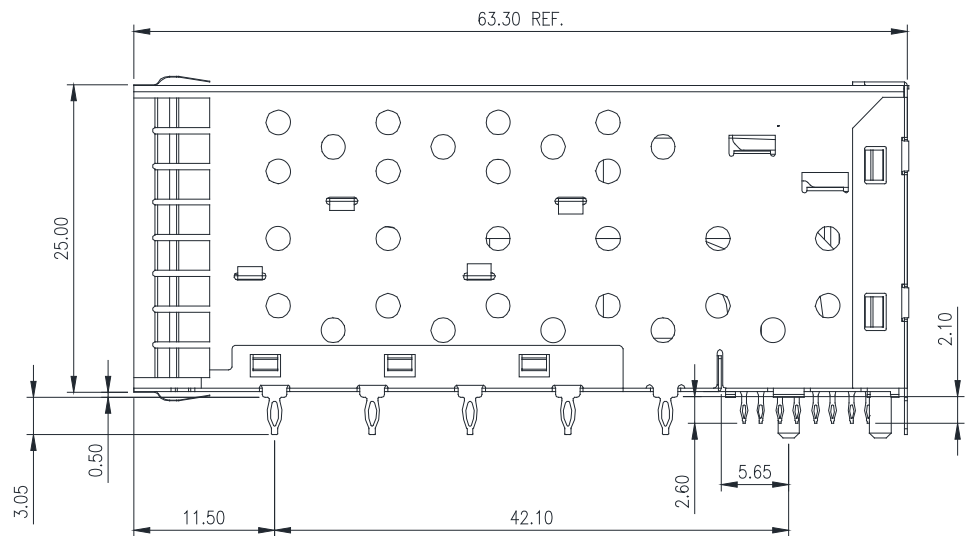
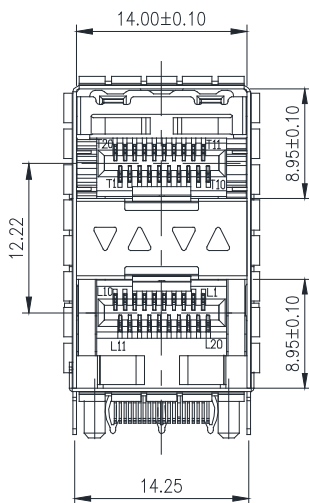
SFPC021P-1



SFPC021P-2



SFPC021P-3



ORDER INFORMATION

SFPC021P-X

SFPC: SFP CAGE

021P: SERIES NO.

X: PROCESS OPTION

0: WITHOUT LIGHT PIPE

1: WITH INNER & OUTER LIGHT PIPE

2: WITH INNER LIGHT PIPE

3: WITH OUTER LIGHT PIPE

MATERIAL

CONNECTOR

HOUSEING: HIGH TEMPERATURE THERMOPLASTIC

GLASS FIELD, UL94V-0, STANDARD COLOR: BLACK

CONTACT: COPPER ALLOY THICKNESS=0.20mm.

CAGE: COPPER ALLOY T=0.25mm

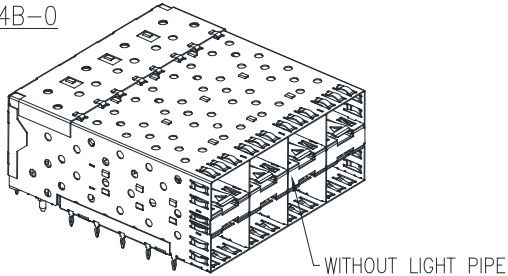
LIGHT PIPE: POLYCARBONATE

EMI CLIP: COPPER ALLOY T=0.08mm

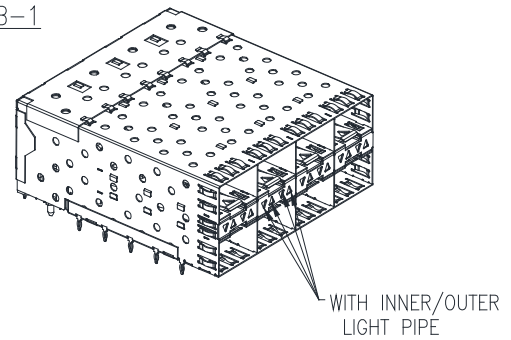
DURABILITY: 100 CYCLES MIN.

SFPC024B-__

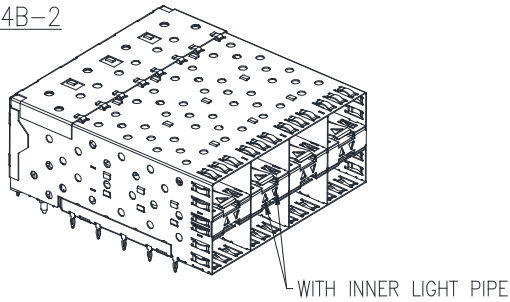
SFPC024B-0



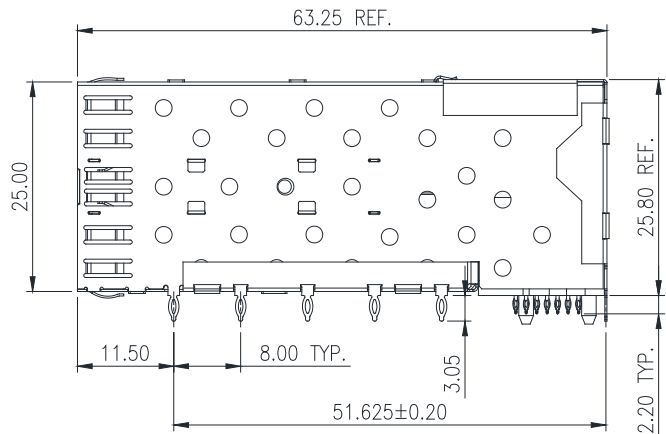
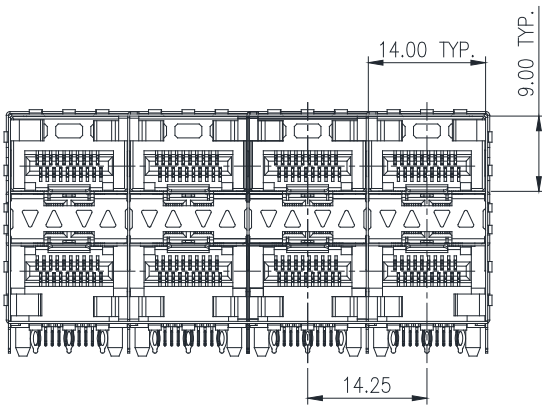
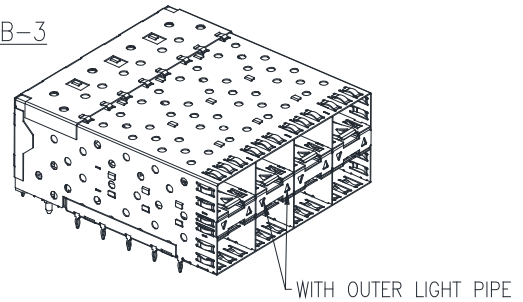
SFPC024B-1



SFPC024B-2



SFPC024B-3



ORDER INFORMATION

SFPC024B-X

SFPC: SFP CAGE

024B: SERIES NO.

X: PROCESS OPTION

0: WITHOUT LIGHT PIPE

1: WITH INNER & OUTER LIGHT PIPE

2: WITH INNER LIGHT PIPE

3: WITH OUTER LIGHT PIPE

MATERIAL

HOUSING: HIGH TEMPERATURE THERMOPLASTIC GLASS FIBER, UL94V-0

STANDARD COLOR: BLACK

CONTACT: PHOSPHOR BRONZE, THICKNESS=0.20mm

PLATING: 15u" OR 30u" MIN. GOLD PLATING OVER 50-100u" NICKEL ON CONTACT AREA.

50-100u" TIN PLATING OVER 50-100u" NICKEL ON SOLDER TAILS

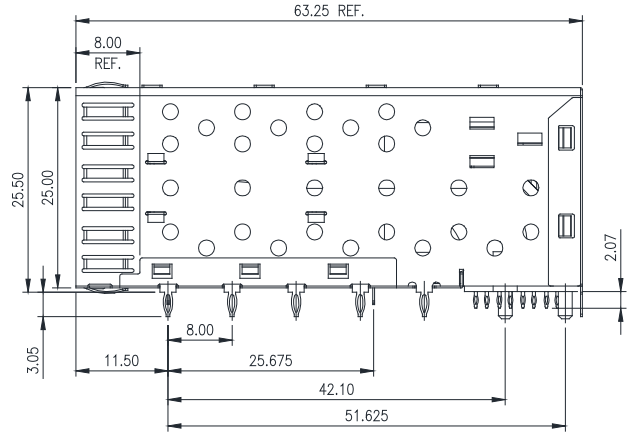
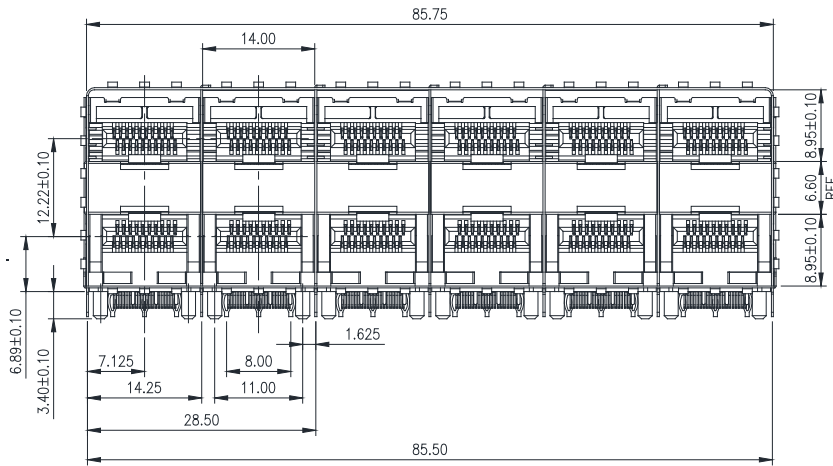
CAGE: COPPER ALLOY C7701 T=0.25mm

LIGHT PIPE: POLYCARBONATE UL94V-0

LIGHT PIPE HOUSING: PBT+30%G.F UL94V-0, COLOR: BLACK

DURABILITY: 100 CYCLES MIN.

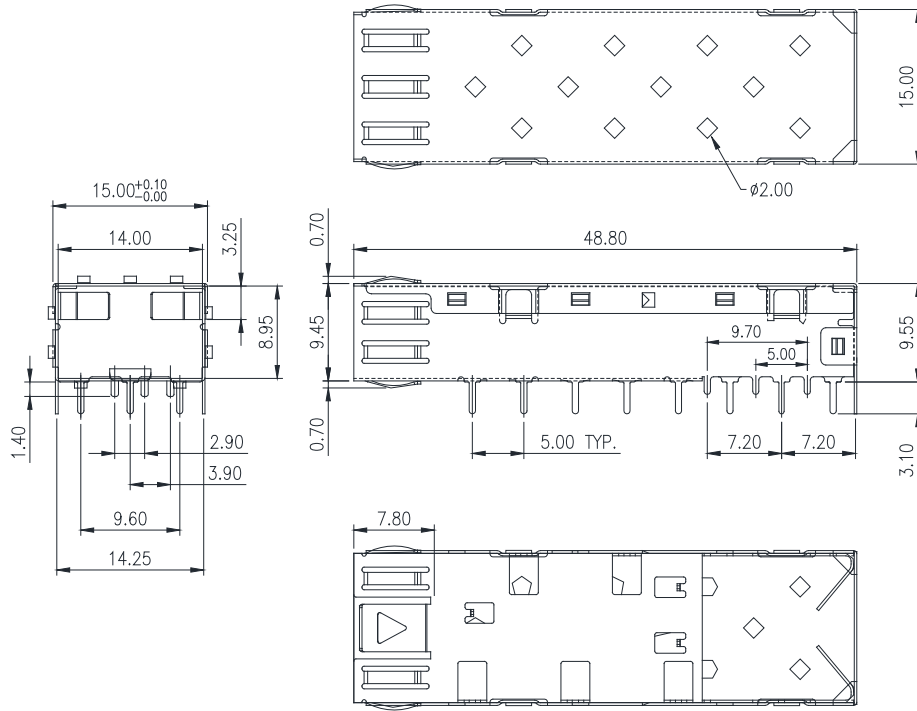
SFPC026A-0



MATERIAL

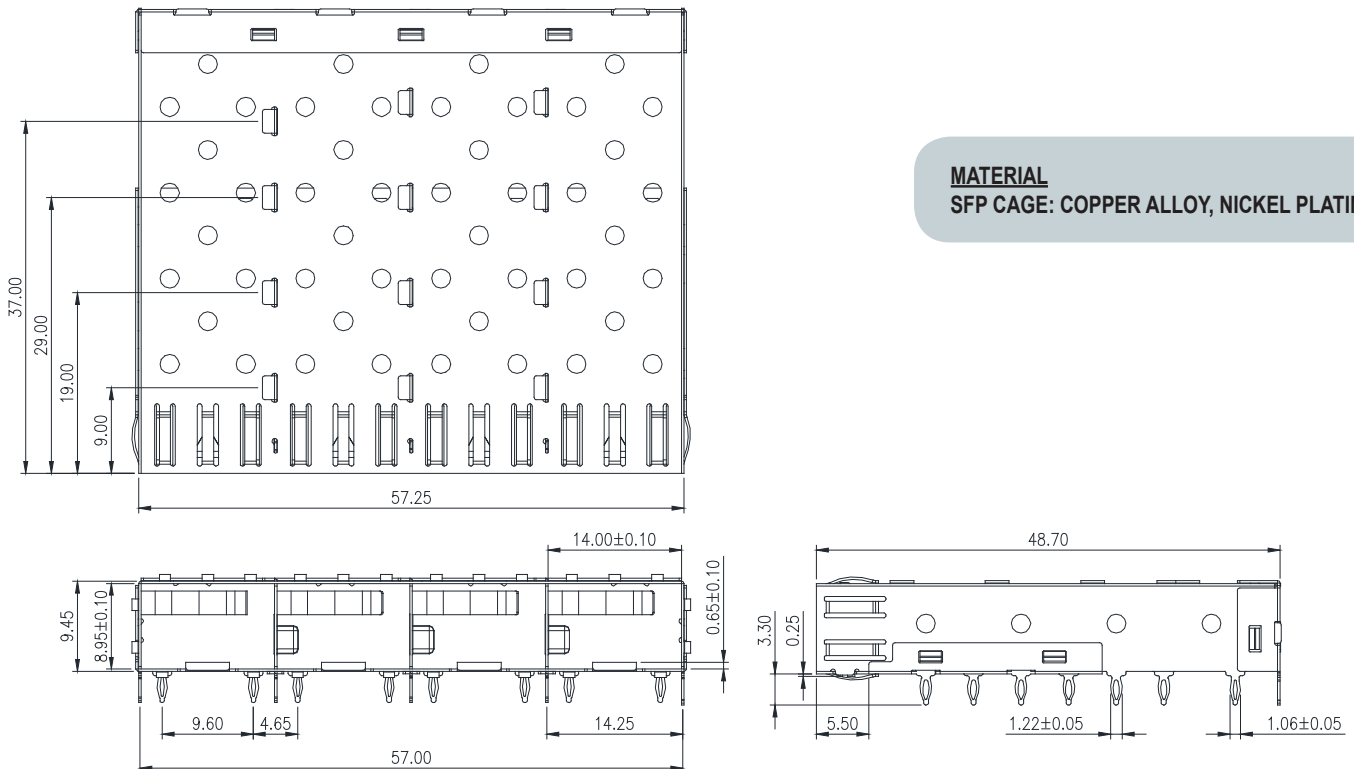
SFP CAGE: COPPER ALLOY, NICKEL PLATING
CONNECTOR CONTACT: GOLD PLATING

SFPC006L



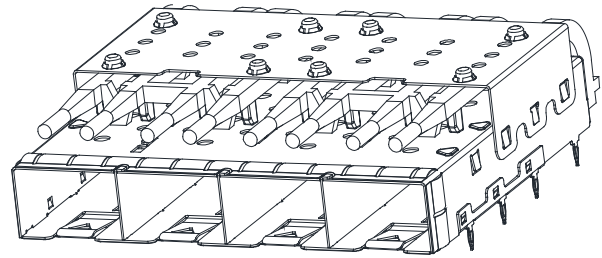
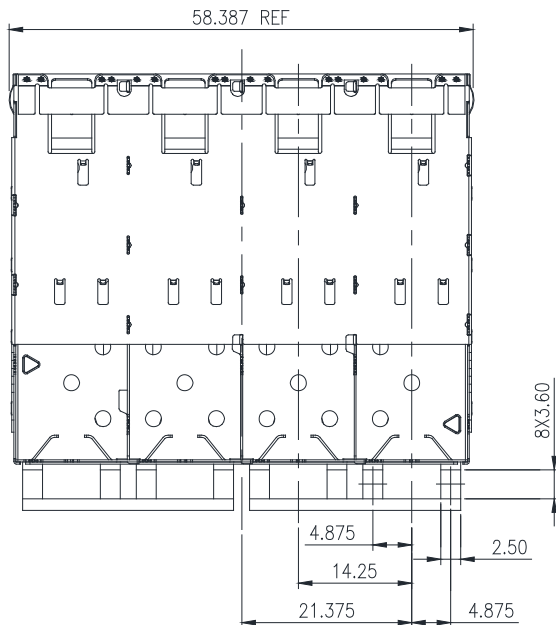
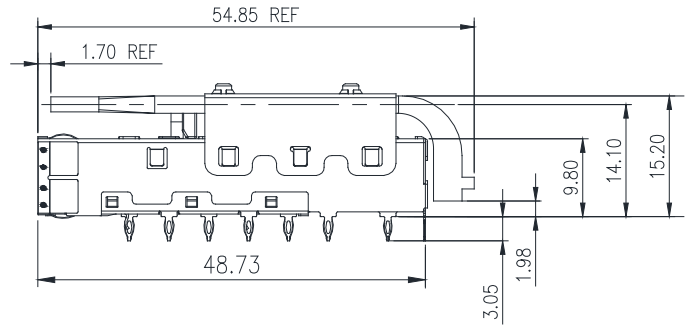
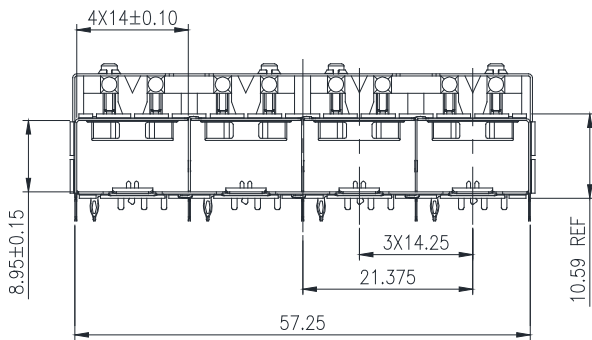
MATERIAL
SFP CAGE: COPPER ALLOY, NICKEL PLATING

SFPC014N



MATERIAL
SFP CAGE: COPPER ALLOY, NICKEL PLATING

SFPC014



MATERIAL

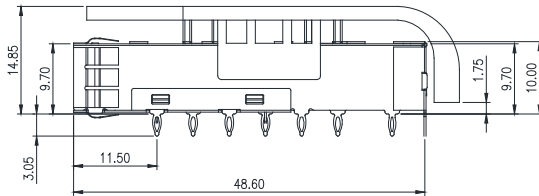
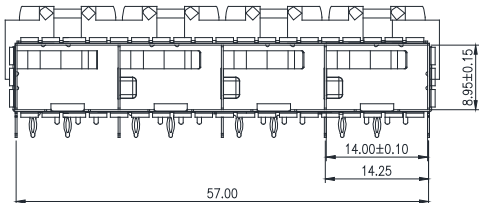
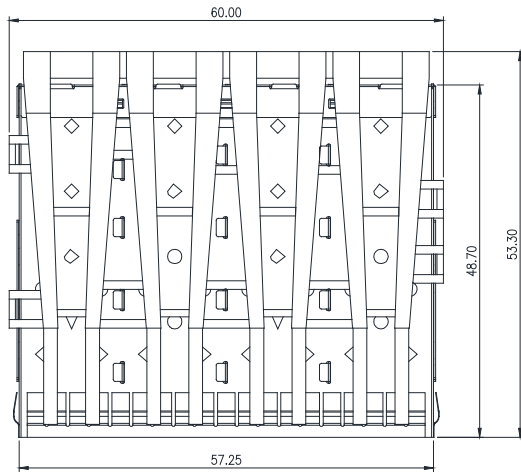
CAGE: COPPER ALLOY, THICKNESS=0.25mm

LIGHT PIPE:1, POLYCARBONATE UL94V-0 COLOR: CRYSTAL

LIGHT PIPE BRACKET: COPPER ALLOY

EMI SPRING: COPPER ALLOY

SFPC869088



MATERIAL

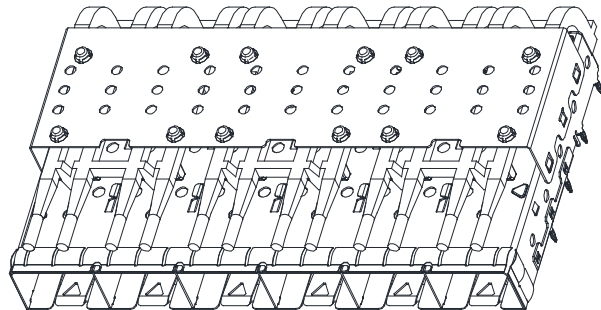
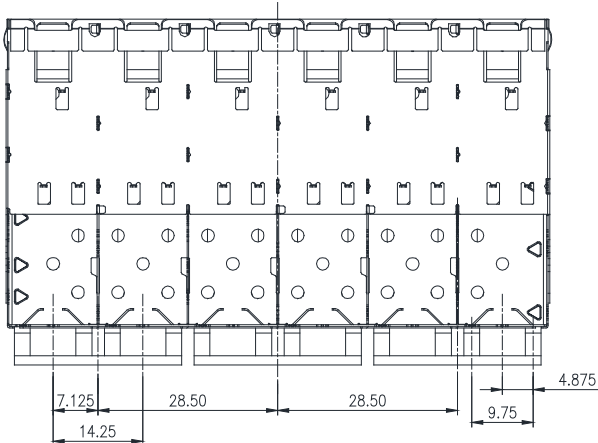
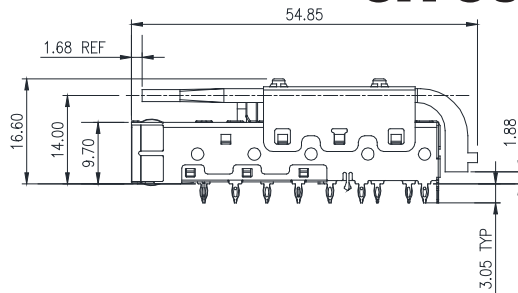
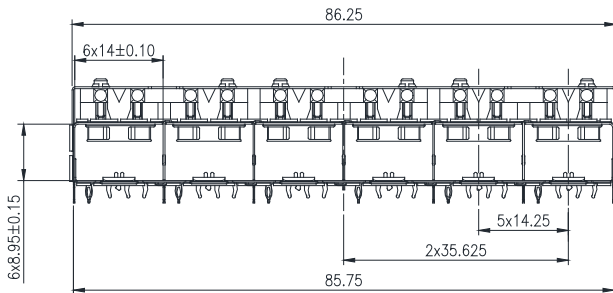
CAGE: COPPER ALLOY, THICKNESS=0.25mm

LIGHT PIPE: POLYCARBONATE UL94V-0 COLOR: CRYSTAL

LIGHT PIPE BRACKET: COPPER ALLOY

EMI SPRING: COPPER ALLOY

SFPC016



MATERIAL

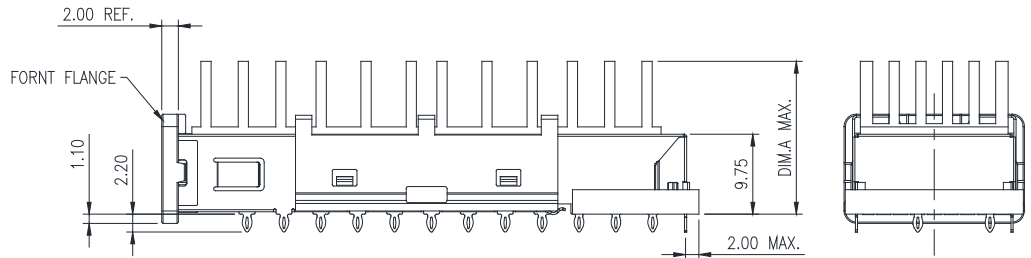
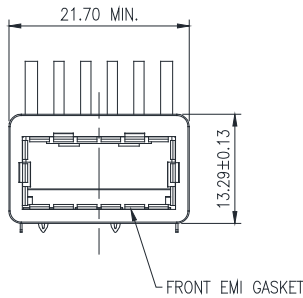
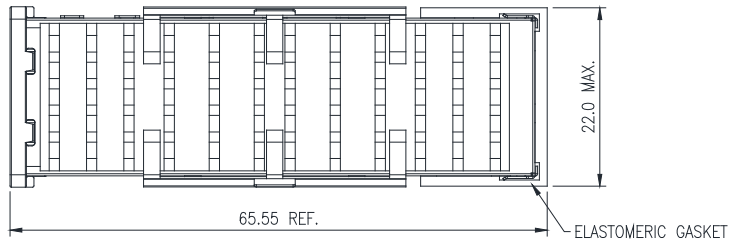
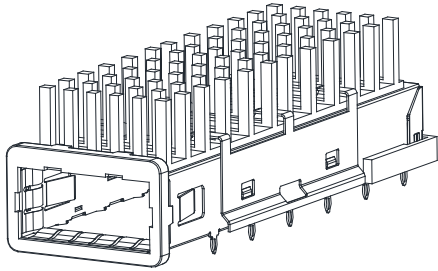
CAGE: COPPER ALLOY, THICKNESS=0.25mm

LIGHT PIPE: POLYCARBONATE UL94V-0 COLOR: CRYSTAL

LIGHT PIPE BRACKET: COPPER ALLOY

EMI SPRING: COPPER ALLOY

XFPC008L, XFPC009L, XFPC010L



PART NUMBER	DIM. A
XFPC008L	12.85 mm
XFPC009L	15.15 mm
XFPC010L	18.65 mm

MATERIAL

CAGE & EMI SPRINGS MATERIAL: COPPER ALLOY
HEAT SINK CLIP MATERIAL: STEEL ALLOY
HEAT SINK MATERIAL: ALUMINUM
CAGE PLATING: 100u" MIN. NICKEL
FRONT EMI GASKET: COPPER ALLOY
FRONT FLANGE: ZINC ALLOY
ELASTOMERIC GASKET: CONDUCTIVE RUBBER